

# NV2AH NEEDLE VALVES

**Stainless Steel Bidirectional flow ~ 3/4" to 2+" Stainless Steel construction for working pressures to 6,000 PSI**



DMIC's newly designed **NV2AH** series brings full 6,000 PSI operating pressure to the masses.

- Offered from 3/4" to 2+" port sizes
- Standard Panel mounting holes
- Fully reparable design
- Available with alternate needle pitches and profiles
- Fast delivery of Viton and EPR sealing

NV2AH	Nominal Size	Port Thread	Performance Data				Dimensions (inches)										Stainless Steel	
			Flow GPM <sup>1</sup>	Metered Direction		Free Flow		A	B	C	D	E	F	G	H	J	F	B
				Orifice Area (sq.in., mm <sup>2</sup> )	Effective C <sub>v</sub>	Orifice Area (sq.in., mm <sup>2</sup> )	Effective C <sub>v</sub>											
NV2AH-0750N	3/4"	3/4" NPTF	-	-	-	-	4.07	1.75	1.63	3.25	1.61	2.00	1.19	1.25	3/4	2.00	2.38	
NV2AH-0750B		3/4" BSPP																
NV2AH-0750S		#12 SAE																
NV2AH-0750IU		27mm ISO6149																
NV2AH-1000N	1"	1" NPTF	-	-	-	-	4.26	2.00	1.69	3.50	1.61	2.25	1.19	1.25	3/4	2.32	2.75	
NV2AH-1000B		1" BSPP																
NV2AH-1000S		#16 SAE																
NV2AH-1000IU		33mm ISO6149																
NV2AH-1250N	1 1/4"	1 1/4" NPTF	-	-	-	-	4.88	2.50	2.25	4.25	1.61	3.00	1.63	1.50	3/8	3.04	3.50	
NV2AH-1250B		1 1/4" BSPP																
NV2AH-1250S		#20 SAE																
NV2AH-1500N	1 1/2"	1 1/2" NPTF	-	-	-	-	6.41	3.00	2.88	5.25	3.00	3.50	2.13	2.00	1/2	3.53	4.25	
NV2AH-1500B		1 1/2" BSPP																
NV2AH-1500S		#24 SAE																
NV2AH-2000N	2"	2" NPTF	-	-	-	-	6.85	4.00	3.50	6.38	3.00	4.50	2.13	2.00	1/2	4.64	5.50	
NV2AH-2000B		2" BSPP																
NV2AH-2000S		#32 SAE																

NOTES: (1) Typical flows quoted in U.S. GPM, using 100 SUS Petroleum Based Fluid at 100°



# NV2AH NEEDLE VALVES

**NV2AH - 1500 S - 2 2 4 2**

**Nominal Size**  
Expressed in 1/1000" units  
Example: 0375=3/8", 1 1/2=1500

**Inlet Port Thread**  
Standard US/Canada

N	NPT
S	SAE ORB

Metric Standard

B	BSPP
---	------

Optional Threads (Call DMIC)

T	BSPT
---	------

**Body Material**

1	Carbon Steel
2	Stainless Steel

**Poppet & Spring Material**

Code	Description
1	Carbon Steel
2	Stainless Steel

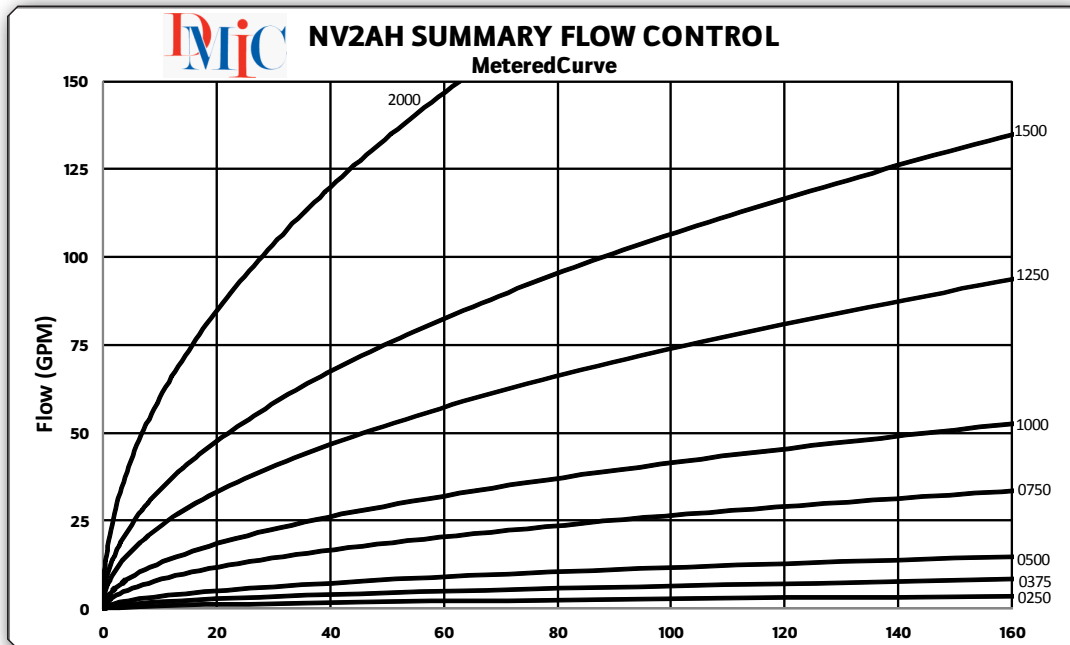
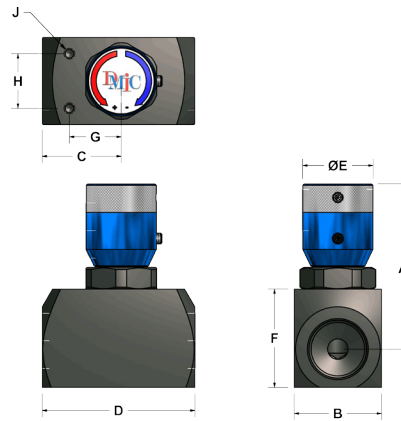
**Knob Material**

Code	Description
4	Aluminum (standard)
2	Stainless Steel*

\* Stainless Steel knob not color coded

**O-Ring Seals**

Code	Description
1	Buna-N
2	EPR
3	Viton
4	Teflon
5	Chemraz



*Due to our policy of continual product improvement, the specifications in this catalog may change without notice. When designing by spec, please request a certified print.*

